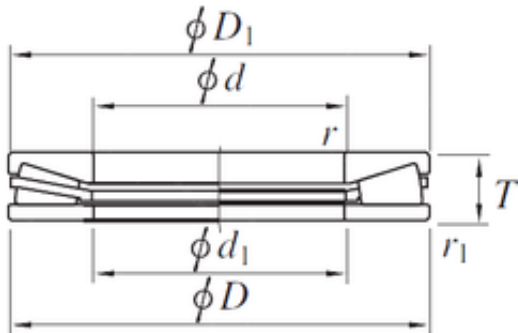




# BEARING USA CORP.

## KOYO THR343007A Axial ripple bearing



Bearing No. THR343007A

Size	168.275x304.800x69.850 mm
Bore Diameter	168.275 mm
Outer Diameter	304.800 mm
Width	69.850 mm
d	168.275 mm
D	304.800 mm
T	69.850 mm
d1	169.000 mm
r min.	6.4 mm
r1 min.	6.4 mm
D1	302.500 mm
Weight	24.0 Kg
Basic dynamic load rating (C)	1 190 kN

THR343007A Bearing 2D drawings and 3D CAD models