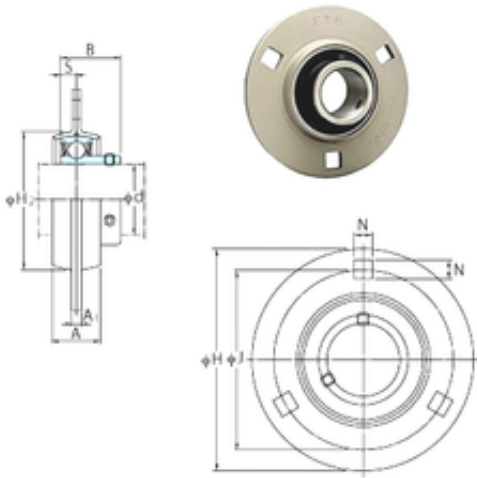




BEARING USA CORP.

FYH SBPF202-10 Bearing unit

Bearing No. SBPF202-10



SBPF202-10 Bearing 2D drawings and 3D CAD models

| | |
|-------------------------------|-----------|
| Bore Diameter | 15,875 mm |
| Width | 22 mm |
| d | 15,875 mm |
| A | 14 mm |
| A1 | 4 mm |
| B | 22 mm |
| H | 81 mm |
| H2 | 49 mm |
| J | 63,5 mm |
| N | 7,1 mm |
| S | 6 mm |
| Bolt (G) | M6 |
| Weight | 0,27 Kg |
| Basic dynamic load rating (C) | 9,55 kN |
| Basic static load rating (C0) | 4,8 kN |