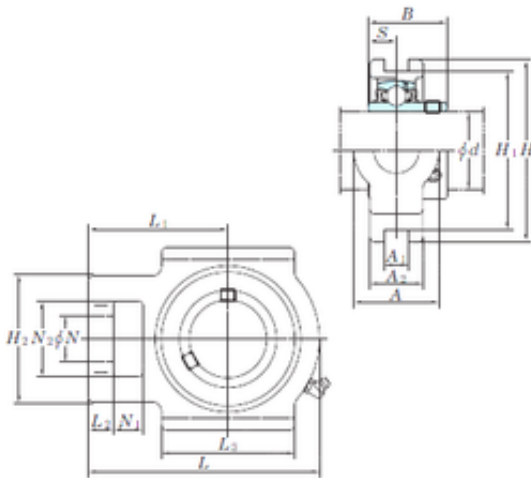




# BEARING USA CORP.

## KOYO UCT207 Bearing unit

Bearing No. UCT207



UCT207 Bearing 2D drawings and 3D CAD models

|                               |           |
|-------------------------------|-----------|
| Bore Diameter                 | 35 mm     |
| d                             | 35 mm     |
| L2                            | 13 mm     |
| L3                            | 64 mm     |
| A                             | 37 mm     |
| A1                            | 12 mm     |
| B                             | 42,9 mm   |
| H                             | 102 mm    |
| H1                            | 89 mm     |
| H2                            | 64 mm     |
| L                             | 129 mm    |
| L1                            | 78 mm     |
| N                             | 22 mm     |
| N1                            | 16 mm     |
| S                             | 17,5 mm   |
| A2                            | 30 mm     |
| N2                            | 37 mm     |
| Weight                        | 1,6 Kg    |
| Basic dynamic load rating (C) | 25,7 kN   |
| Basic static load rating (C0) | 15,4 kN   |
| Bearing No.                   | UCT207    |
| Cr                            | 25.7      |
| C0r                           | 15.4      |
| f0                            | 13.9      |
| (Refer.)Unit mass(kg)         | 1.6       |
| Nipple size                   | 1/4-28UNF |



# BEARING USA CORP.