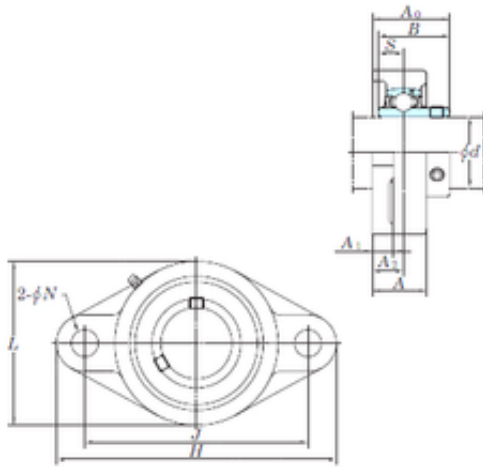




BEARING USA CORP.

KOYO UCFL217 Bearing unit

Bearing No. UCFL217



UCFL217 Bearing 2D drawings and 3D CAD models

Bore Diameter	85 mm
d	85 mm
A0	87,6 mm
A	63 mm
A1	22 mm
B	85,7 mm
H	305 mm
J	248 mm
L	190 mm
N	25 mm
S	34,1 mm
A2	36 mm
Weight	9,8 Kg
Basic static load rating (C0)	84 kN
Bearing No.	UCFL217
Bolt size	M22
Cr	84.0
C0r	61.9
f0	14.5
(Refer.)Unit mass(kg)	9.8
Nipple size	R1/8