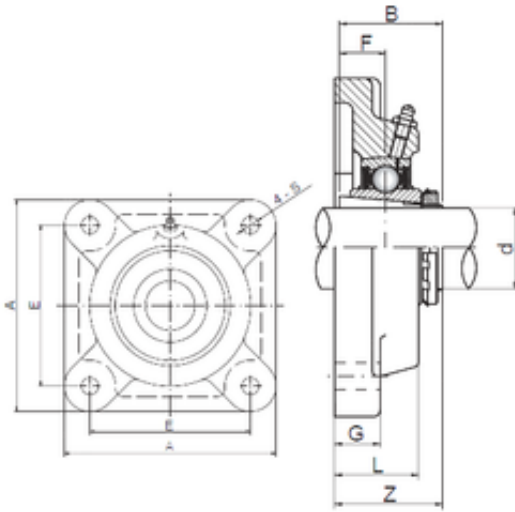




# BEARING USA CORP.

## ISO UKF218 Bearing unit

Bearing No. UKF218



UKF218 Bearing 2D drawings and 3D CAD models

Bore Diameter	80 mm
Width	86 mm
d	80 mm
Z	81,5 mm
A	235 mm
B	86 mm
E	187 mm
F	40 mm
G	24 mm
L	68 mm
S	23 mm
Bolt (G)	M20