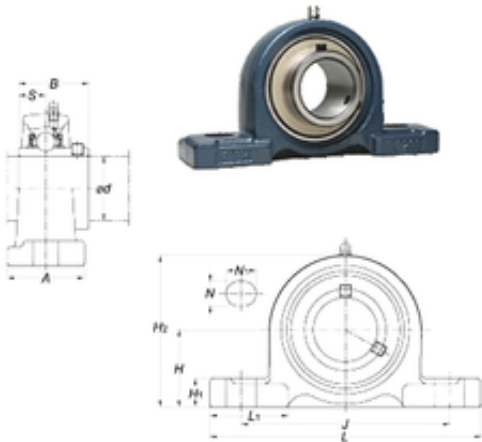




BEARING USA CORP.

FYH UCP204 Bearing unit



Bearing No. UCP204

Bore Diameter	20 mm
Width	31 mm
d	20 mm
A	38 mm
B	31 mm
H	33,3 mm
H1	13 mm
H2	64 mm
J	95 mm
L	127 mm
L1	38 mm
N	13 mm
N1	18 mm
S	12,7 mm
Bolt (G)	M10
Weight	0,66 Kg
Basic dynamic load rating (C)	12,8 kN
Basic static load rating (C0)	6,65 kN
Category	Mounted Units & Inserts
Inventory	0.0
Manufacturer Name	FYH BEARING UNITS
Minimum Buy Quantity	N/A
Weight / Kilogram	0
Product Group	M06110

UCP204 Bearing 2D drawings and 3D CAD models