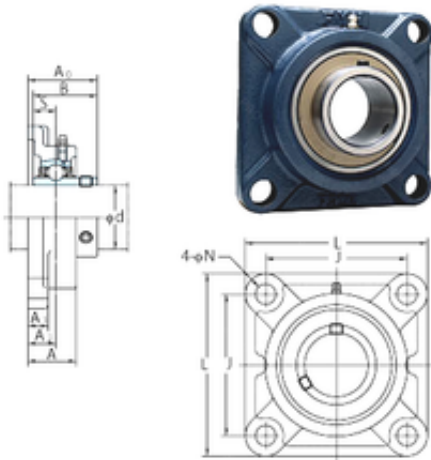




# BEARING USA CORP.

## FYH UCFX14-44 Bearing unit

Bearing No. UCFX14-44



UCFX14-44 Bearing 2D drawings and 3D CAD models

Bore Diameter	69,85 mm
d	69,85 mm
A0	81,5 mm
A	60 mm
A1	22 mm
B	77,8 mm
J	152 mm
L	197 mm
N	23 mm
S	33,3 mm
Bolt (G)	M20
A2	37 mm
Weight	7 Kg
Basic dynamic load rating (C)	67,4 kN
Basic static load rating (C0)	48,3 kN