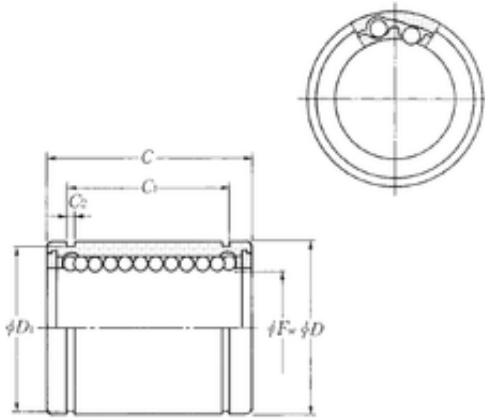




BEARING USA CORP.

NTN KLM25 Linear bearing

Bearing No. KLM25



KLM25 Bearing 2D drawings and 3D CAD models

Size	25x40x59 mm
Bore Diameter	25 mm
Outer Diameter	40 mm
Width	59 mm
Fw	25 mm
D	40 mm
C	59 mm
C1	40,7 mm
D1	38 mm
C2	1,85 mm
Weight	0,22 Kg
Basic dynamic load rating (C)	2 640 kN