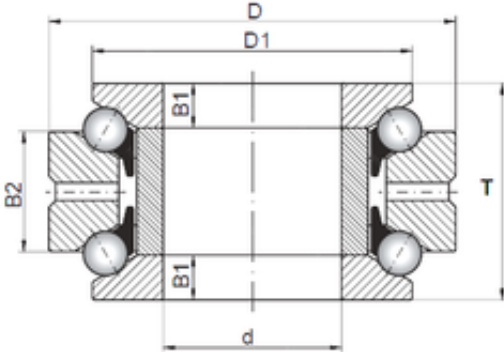




# BEARING USA CORP.

## ISO 234468 Ball bearing

Bearing No. 234468



234468 Bearing 2D drawings and 3D CAD models

Size	340x520x212 mm
Bore Diameter	340 mm
Outer Diameter	520 mm
Width	212 mm
d	340 mm
D	520 mm
T	212 mm
B1	53 mm
B2	106 mm
D1	459 mm