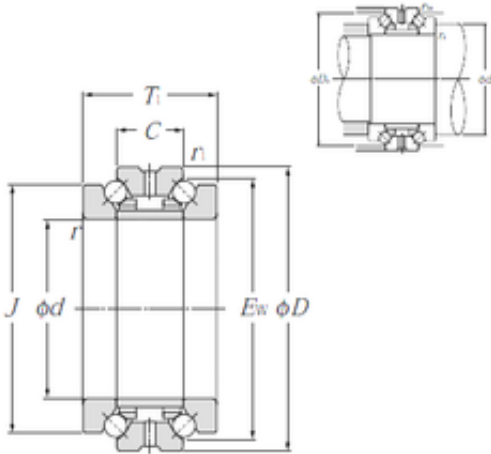




# BEARING USA CORP.

## NTN 562012 Ball bearing

Bearing No. 562012



562012 Bearing 2D drawings and 3D CAD models

Bore Diameter	60 mm
Outer Diameter	86,1 mm
d	60 mm
D	95 mm
Ew	86,1 mm
T1	44 mm
C	22 mm
ra1 max.	0,6 mm
r min.	1,1 mm
r1 min.	0,6 mm
J	83 mm
da min.	72,5 mm
Da max.	89 mm
ra max.	1 mm
Weight	1,06 Kg
Basic dynamic load rating (C)	37,5 kN
Basic static load rating (C0)	103 kN
(Grease) Lubrication Speed	4 300 r/min