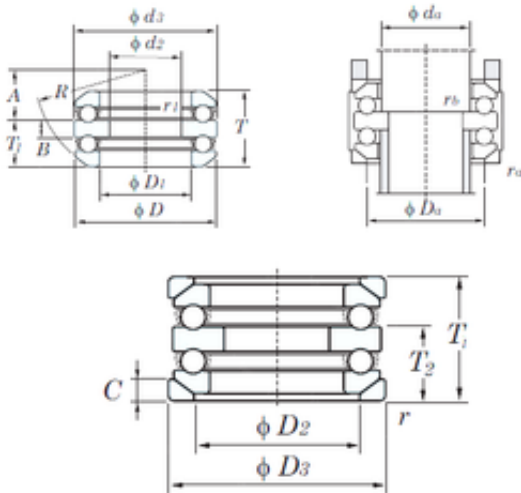




BEARING USA CORP.

KOYO 54413U Ball bearing

Bearing No. 54413U



54413U Bearing 2D drawings and 3D CAD models

Size	50x140x109.4 mm
Bore Diameter	50 mm
Outer Diameter	140 mm
Width	109.4 mm
d2	50 mm
D	140 mm
T	109.4 mm
T1	119 mm
T1	66.2 mm
T2	71 mm
d3	140 mm
r min.	2 mm
r1 min.	1 mm
A	34 mm
B	23 mm
C	17.5 mm
D1	68 mm
D2	100 mm
D3	145 mm
R	112 mm
da min.	65 mm
Da max.	100 mm
ra max.	2 mm
rb max.	1 mm
Weight	9.72 Kg
Basic dynamic load rating (C)	232 kN



BEARING USA CORP.

Basic static load rating (C0)	493 kN
(Grease) Lubrication Speed	1000 r/min