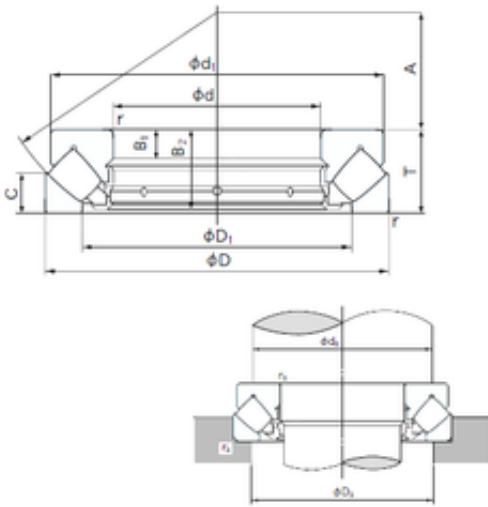




BEARING USA CORP.

240 mm x 340 mm x 19 mm NACHI 29248E Axial roller bearing

Bearing No. 29248E



29248E Bearing 2D drawings and 3D CAD models

Size	240x340x60 mm
Bore Diameter	240 mm
Outer Diameter	340 mm
Width	60 mm
d	240 mm
D	340 mm
T	60 mm
d1	330 mm
r min.	2.1 mm
A	130 mm
B1	19 mm
B2	57 mm
C	30 mm
D1	283 mm
da min.	285 mm
Da max.	305 mm
ra max.	2 mm
Weight	17.1 Kg
Basic dynamic load rating (C)	890 kN
Basic static load rating (C0)	4000 kN
Category	Bearings
Inventory	0.0
Manufacturer Name	NACHI
Minimum Buy Quantity	N/A
Weight / Kilogram	0



BEARING USA CORP.

Product Group	B04311
Bore Type	Cylindrical Bore
Enclosure	Open
Configuration	Single Row
Bore Size	240 mm
Outside Diameter	340 mm
Fillet Radius/Chamfer	2.1 mm
Width	60 mm
Dynamic Load Rating	890,000 N
Static Load Rating	4,000,000 N
Limiting Speed - Oil	1,300 rpm
B	19 mm
da (min)	285 mm
Da (max)	305 mm
ra (max)	2 mm