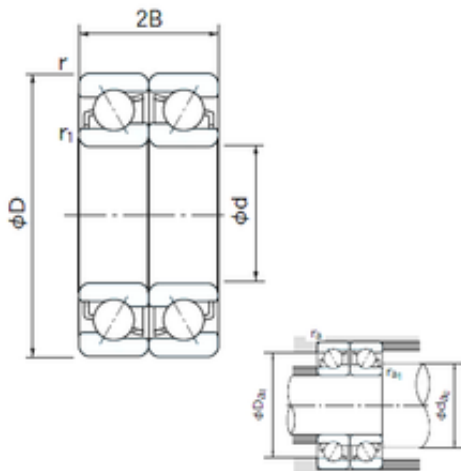




# BEARING USA CORP.

## 30 mm x 72 mm x 19 mm NACHI 7306DF Angular contact ball bearing



Bearing No. 7306DF

7306DF Bearing 2D drawings and 3D CAD models

Size	30x72x19 mm
Bore Diameter	30 mm
Outer Diameter	72 mm
Width	19 mm
d	30 mm
D	72 mm
B	19 mm
C	19 mm
Angle ( ° )	30 °
a	5.2 mm
r min.	1.1 mm
r1 min.	0.6 mm
2B	38 mm
da min.	35 mm
Da max.	67 mm
ra max.	0.6 mm
Weight	0.360 Kg
Basic dynamic load rating (C)	54,5 kN
Basic static load rating (C0)	44,5 kN
(Grease) Lubrication Speed	7000 r/min
Bore Type	Cylindrical Bore
Enclosure	Open
Configuration	Duplex
Bore Size	30 mm
Outside Diameter	72 mm



## BEARING USA CORP.

Width	19 mm
Fillet Radius/Chamfer	1.1 mm
r1	0.6 mm
Dynamic Load Rating	54,500 N
Static Load Rating	44,500 N
Limiting Speed - Grease	7,000 rpm
Limiting Speed - Oil	9,500 rpm
da1 (min)	37 mm
da2 (min)	35 mm
Da1 (max)	65 mm
Da2 (max)	67 mm
ra (max)	1 mm
ra1 (max)	0.6 mm